

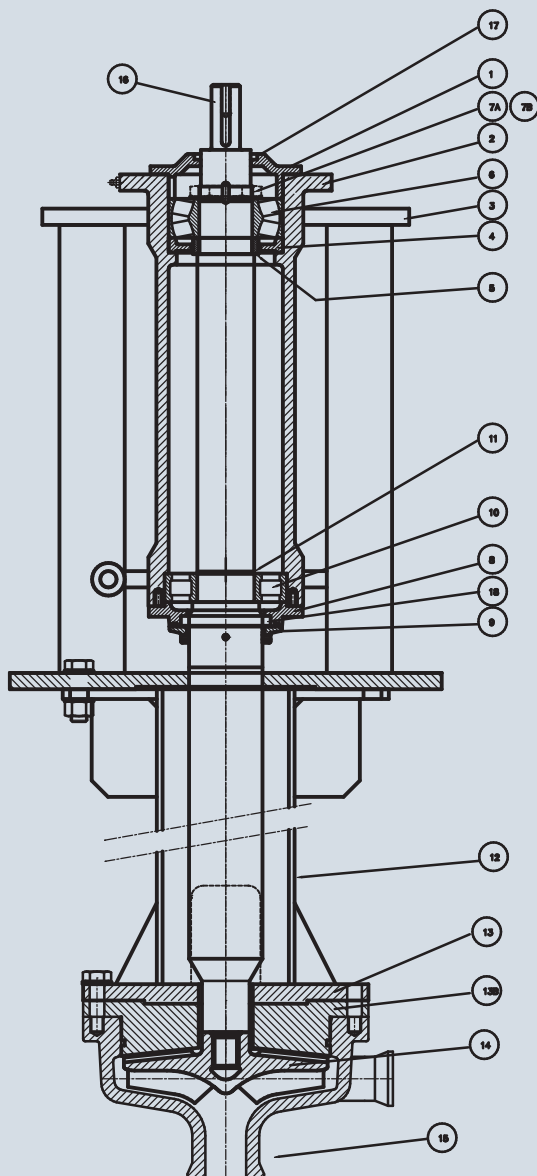
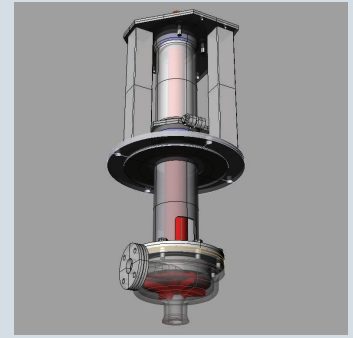
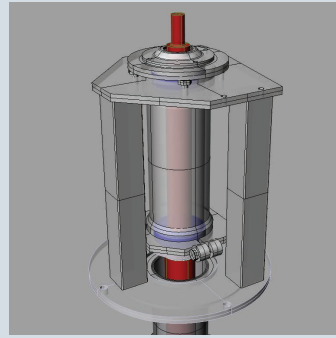
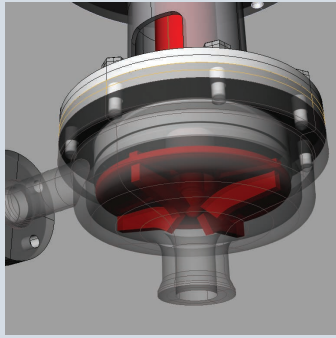
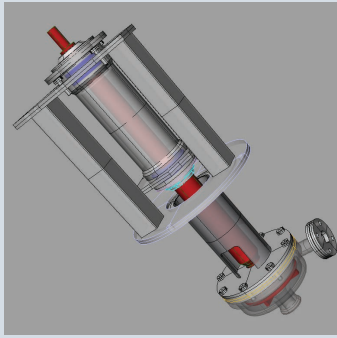
SLURRY-Busta

VERTICAL PUMPS

**LAKESIDE
EQUIPMENT**



The Slurry-Busta is a vertical cantilever design pump for use in sumps and slurry dams. It has a wide range of performance capabilities, speeds and motor sizes to meet customer requirements.



SLURRY-BUSTA FEATURES

- Cantilever vertical design with no submerged bearings or seals
 - Grease lubricated bearings
 - Ability to run dry indefinitely
 - Flooded wet end i.e. no priming necessary
 - Adjustment for wear
 - Head capabilities to 90(m)
 - Semi-open impeller
 - Solids handling capability of up to 15mm
 - Choice of material: Cast Iron / wear resistant Hard Chrome
 - Component life extended by wear adjustment feature
 - Locally manufactured ensuring spares and service availability
 - Mechanically designed to ensure reliable rugged service
 - V-Belt driven which allows for easy speed adjustment
- Optional:

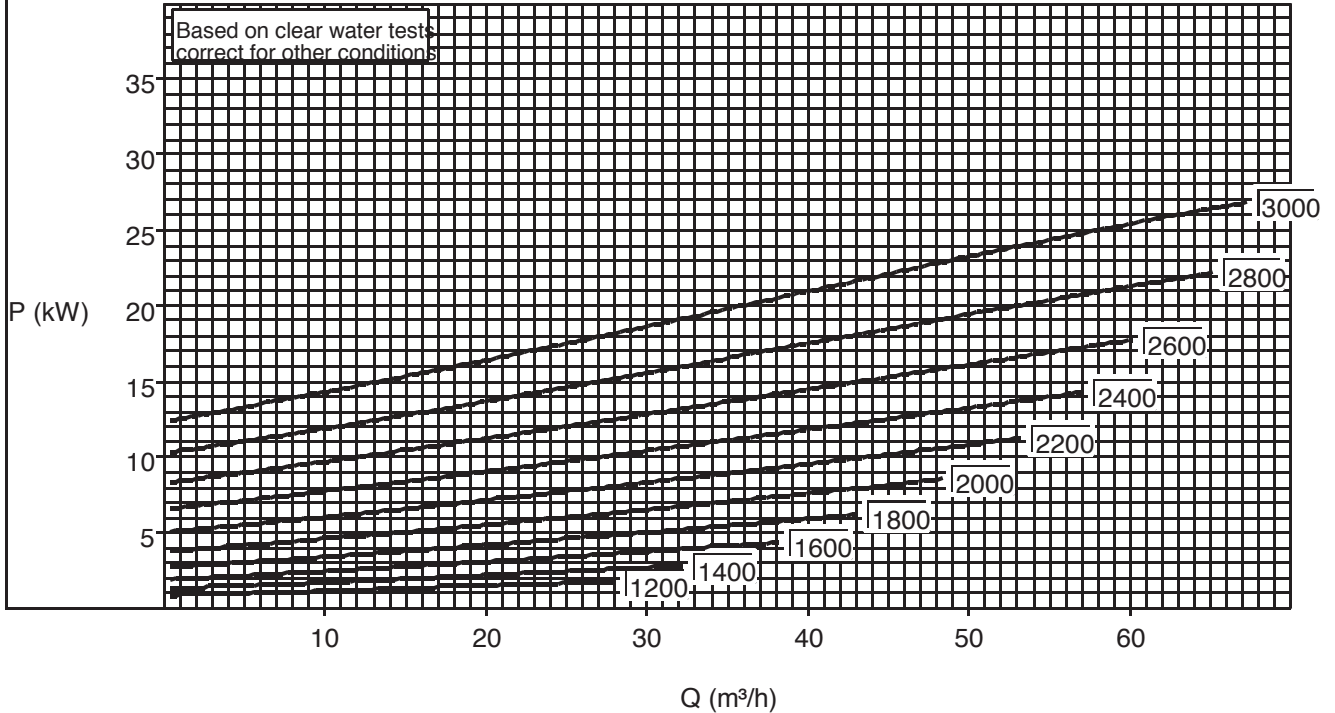
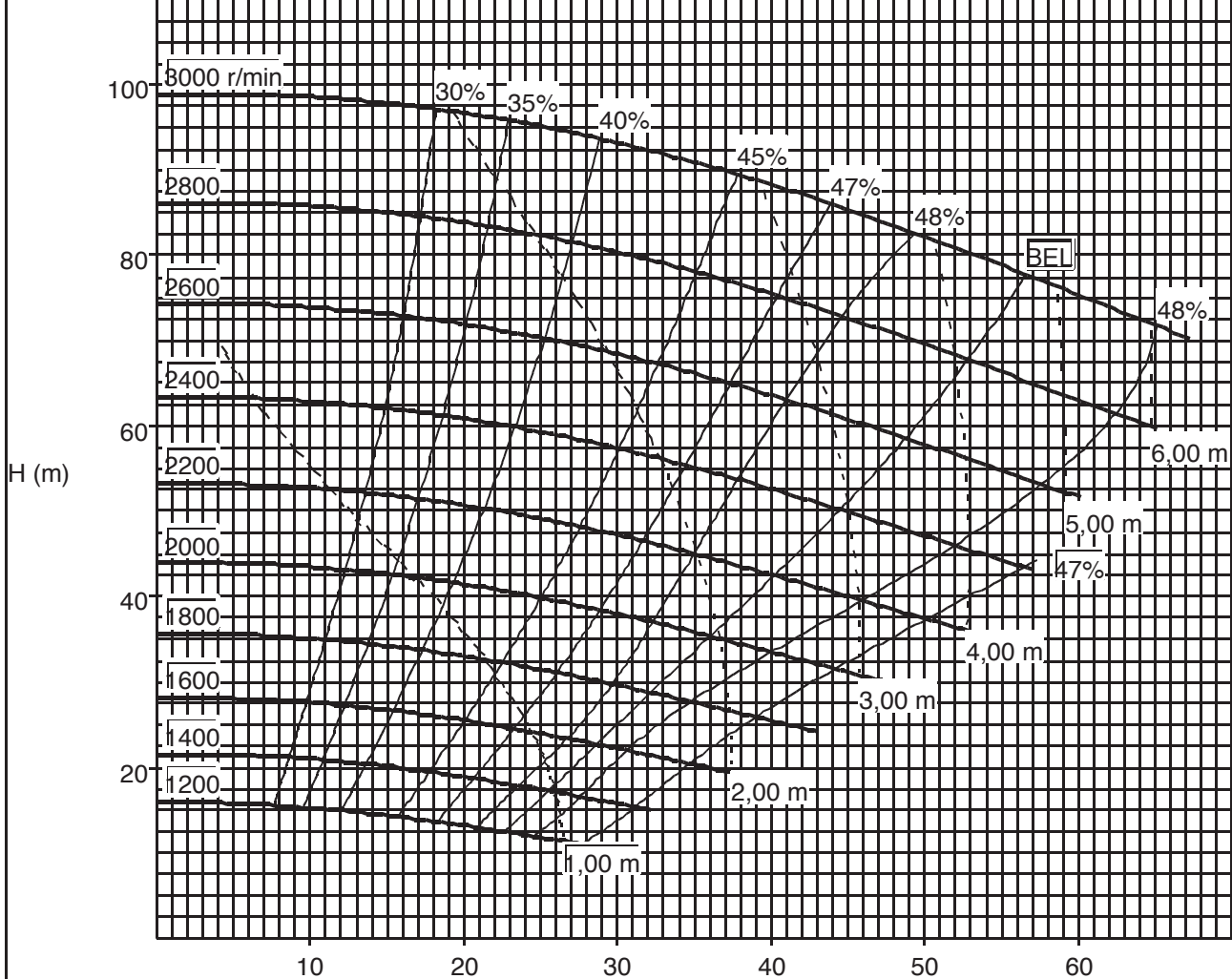
- Frame material: Mild Steel or Stainless Steel
- Extended shaft for extended sump depths

- | | |
|-----------------------|--------------------------|
| 1. Cover / Lock | 10. Bearing NU314 |
| 2. Bearing Housing | 11. Circlip |
| 3. Top Frame Assembly | 12. Lower Frame Assembly |
| 4. Spacer | 13A. Casing Cover |
| 5. Spacer Ring | 13B. Back Liner |
| 6. Bearing 22313C | 14. Impeller |
| 7A. KM13 Nut | 15. Volute Casing |
| 7B. MB13 Washer | 16. Shaft |
| 8. Labyrinth Cover | 17. Seal V60 |
| 9. Sealing Ring | 18. Seal V90 |

Pump HM50

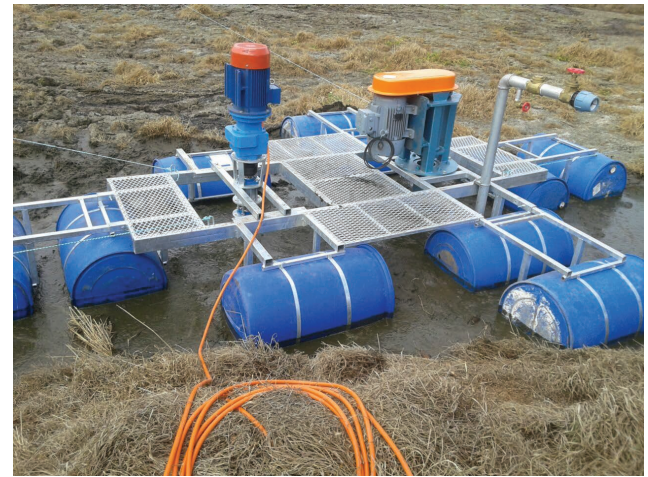
Performance curve

Full impeller dia	Vane diameter	Vane config	Impeller type	No. of vanes	Max sphere	Impeller material	Liner material
240 mm	240 mm	Full	Semi open	4	15 mm	Metal	Metal



SLURRY-Busta

VERTICAL PUMPS



**LAKESIDE
EQUIPMENT**



MANUFACTURED BY LAKESIDE EQUIPMENT (PTY) LTD.
REG NO: 82/03375/07

8 Monaco Place, Westmead, 3605, South Africa

Tel: +27 (0) 31 700 2137 / 60 / 39 / 72

E-mail: lakesideequipment@mweb.co.za

Website: <http://www.lakesideequipment.com>