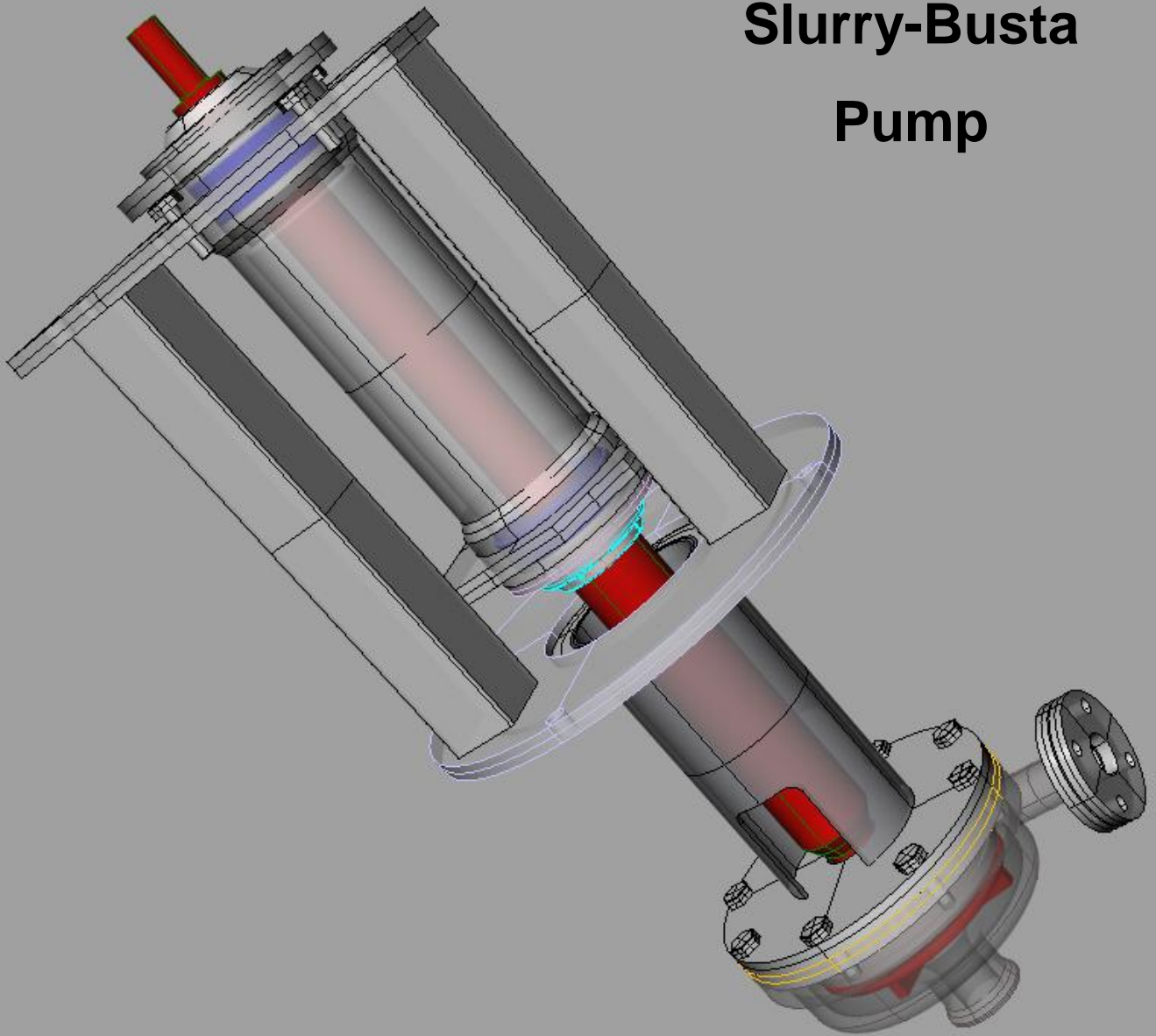
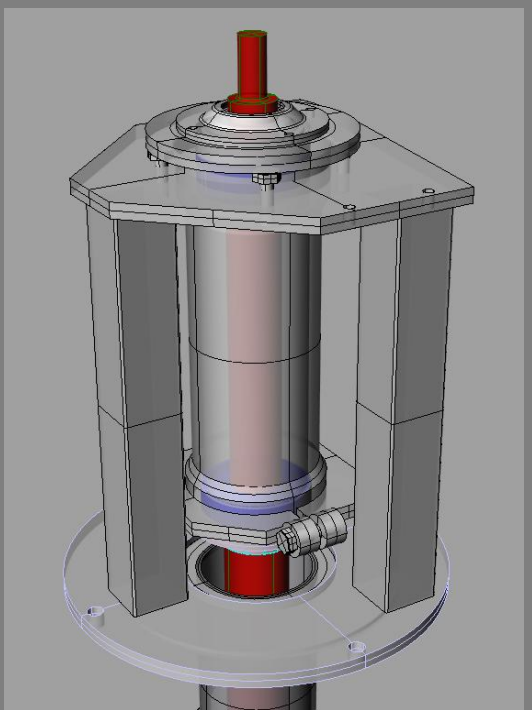


The Slurry-Busta Pump



The **Slurry-Busta** is a vertical cantilever design pump for use in sumps and slurry dams. It has a wide range of performance capabilities. Speeds and motor sizes to be selected to meet customer requirements.



**Slurry-Busta
Mechanical End**

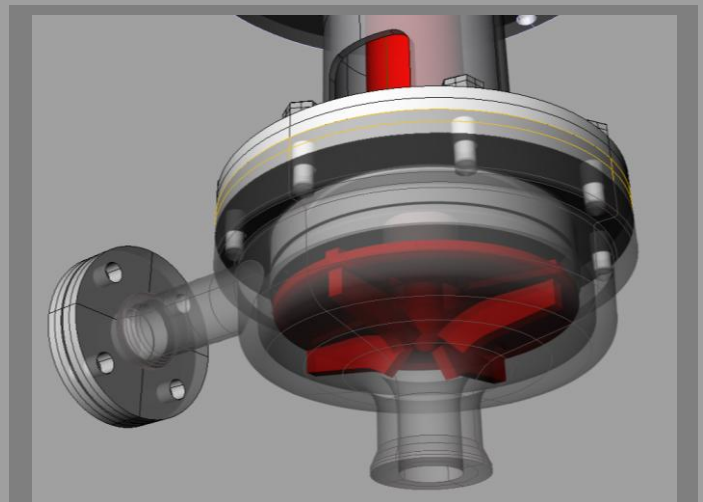
Slurry-Busta Features:

- Cantilever vertical design with no submerged bearings or seals
- Grease lubricated bearings
- Ability to run dry indefinitely
- Flooded wet end i.e. no priming necessary
- Adjustment for wear
- Head capabilities to 90(m)
- Semi – open impeller
- Solids handling capability of up to 15mm
- Choice of material: Cast Iron / wear resistant Hard Chrome
- Component life extended by wear adjustment feature

- Locally manufactured ensuring spares and service availability
- Mechanically designed to ensure reliable rugged service
- V-Belt driven which allows for easy speed adjustment

Optional:

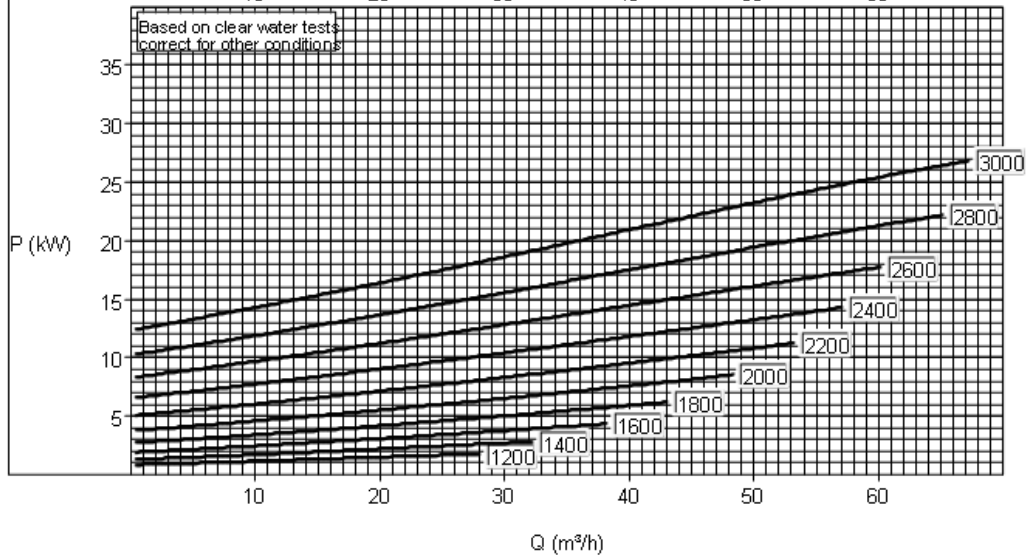
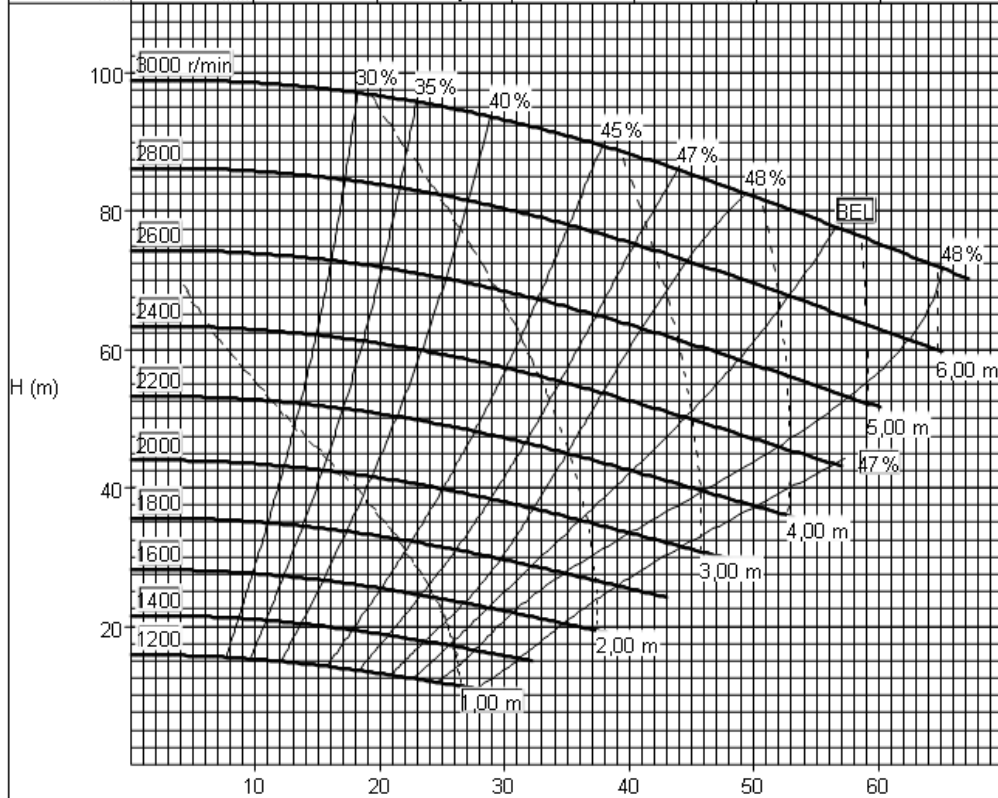
- Frame material: Mild Steel or Stainless Steel
- Extended shaft for extended sump depths

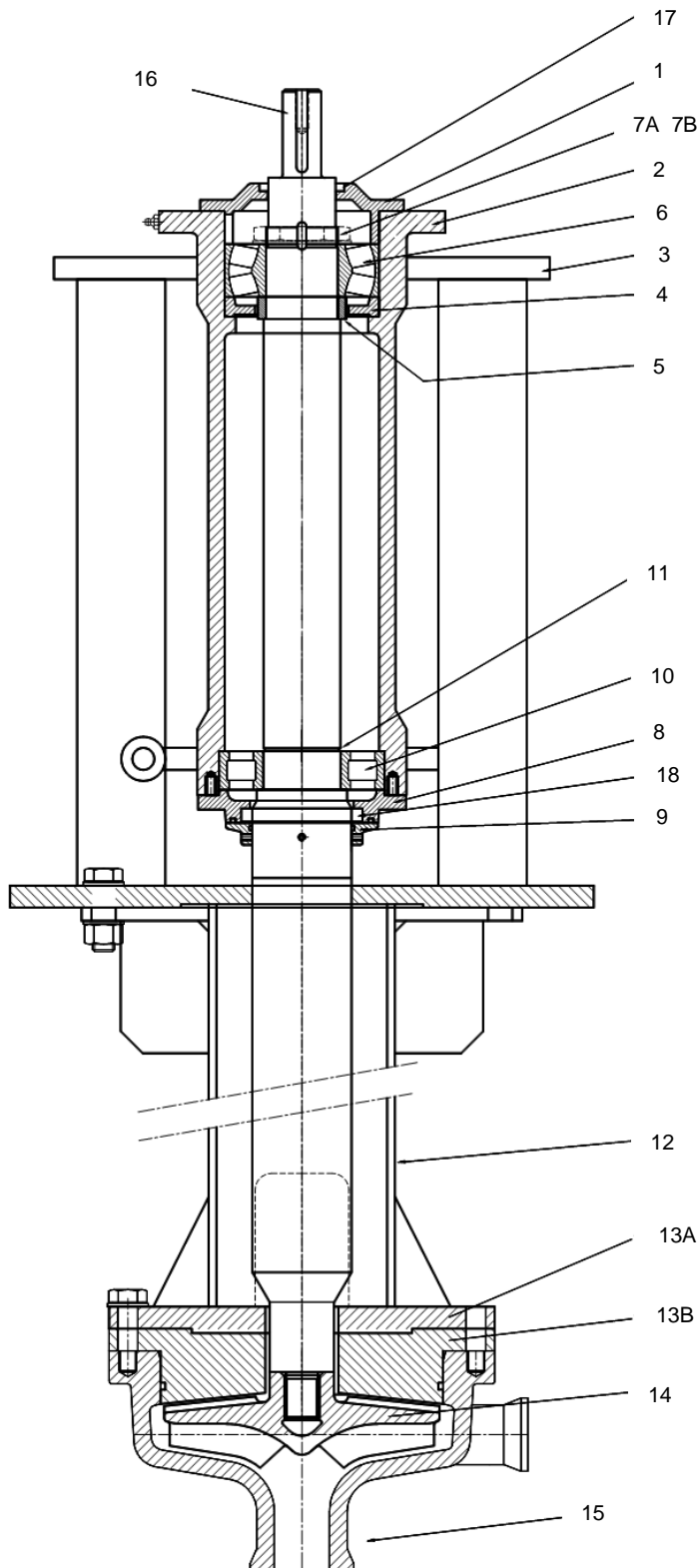


**Slurry-Busta
Wet End**

Slurry-Busta Performance Curve

Full impeller dia	Vane diameter	Vane config	Impeller type	No. of vanes	Max sphere	Impeller material	Liner material
240 mm	240 mm	Full	Semi open	4	15 mm	Metal	Metal





Slurry-Busta Pump

1. Cover / Lock
2. Bearing Housing
3. Top Frame Assembly
4. Spacer
5. Spacer Ring
6. Bearing 22313C
- 7A. KM13 Nut
- 7B. MB13 Washer
8. Labyrinth Cover
9. Sealing Ring
10. Bearing NU314
11. Circlip
12. Lower Frame Assembly
- 13A. Casing Cover
- 13B. Back Liner
14. Impeller
15. Volute Casing
16. Shaft
17. Seal V60
18. Seal V90